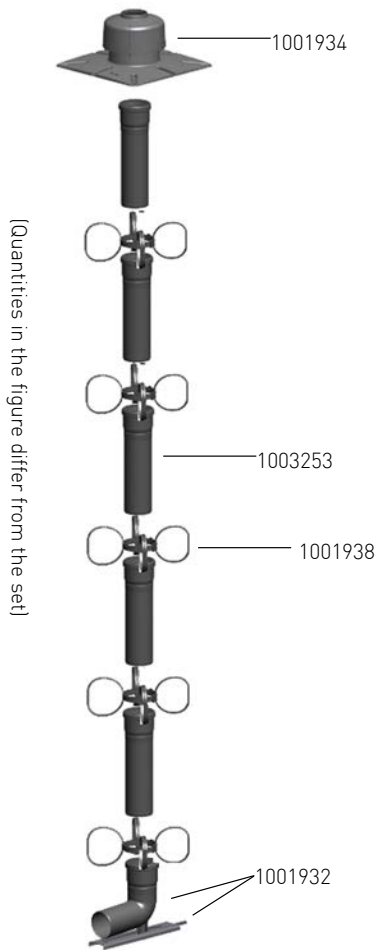


## Flue gas kit DN60 rigid in the shaft



Flue gas kit consisting of:	Quantity in the kit	Order No.	Price/€
Outlet set, plastic	1 x set	1001934	41.20
Spacer set * (4 ea.)	1 x set	1001938	26.55
Shaft inlet with support	1 x each	1001932	28.40
<b>Kit price</b> without pipe elements		1001939	88.25
Pipe element 1,955 mm	6 x each	1001929	19.30
<b>Kit price</b> incl. pipe elements		1002086	207.00

\* not available individually

top inspection on request



acc.to DIN 18160 §6.5.3 not required if:

- gaseous working material
- maximum offset 1 x 30°
- diameter smaller than DN150 mm
- maximum vertical height 15 m [support bend – outlet]
- Bottom inspection acc. to DIN 18160 §6.5.2

Article	Order No.	Price/€
Inspection pipe, straight	1001921	18.50

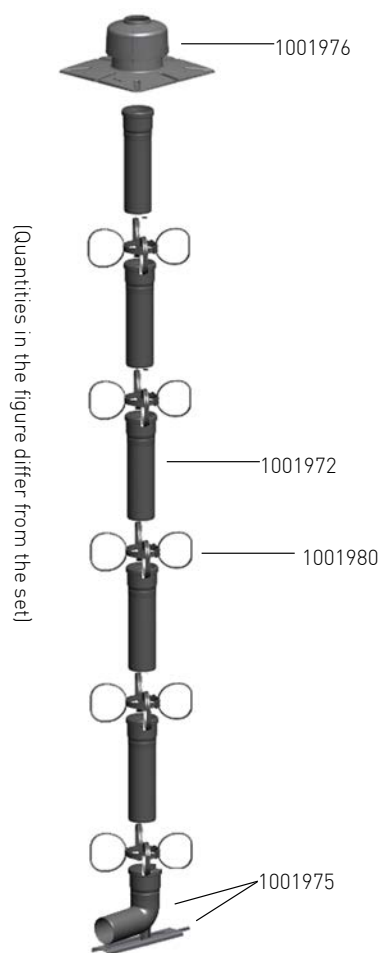
## Accessories DN60

(available additional to the flue gas kit)

Article	Order No.	Price/€
Bend 30°	1001923	10.06
Bend 45°	1001924	10.06
Bend 87°	1001925	10.45

Article	Order No.	Price/€
Pipe element can be shortened, 500 mm	1001927	10.05
Pipe element can be shortened, 955 mm	1001928	13.35
Inspection bend 87°	1001920	19.24
Venting cover 280 x 350 mm	1001931	32.00

## Flue gas kit DN80 rigid in the shaft



Flue gas kit consisting of:	Quantity in the kit	Order No.	Price/€
Outlet set, plastic	1 x set	1001976	65.80
Spacer set * (4 ea.)	1 x set	1001980	35.65
Shaft inlet with support	1 x each	1001975	48.10
<b>Kit price</b> without pipe elements		1001981	138.85
Pipe element 1,955 mm	6 x each	1001972	23.35
<b>Kit price</b> incl. pipe elements		1002067	256.00

\* not available individually

top inspection on request



acc.to DIN 18160 §6.5.3 not required if:

- gaseous working material
- maximum offset 1 x 30°
- diameter smaller than DN150 mm
- maximum vertical height 15 m (support bend – outlet)
- Bottom inspection acc. to DIN 18160 §6.5.2

Article	Order No.	Price/€
Inspection pipe straight	1001964	23.80
Protection against return flow	1002099	60.00

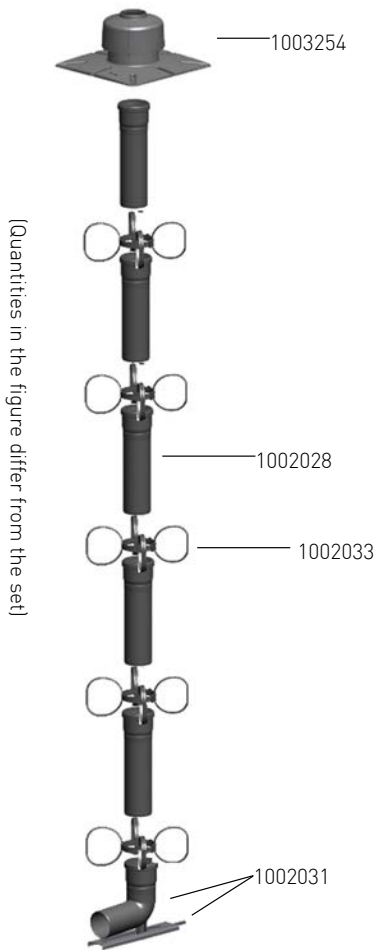
## Accessories DN80

(available additional to the flue gas kit)

Article	Order No.	Price/€
Bend 30°	1001966	12.78
Bend 45°	1001967	10.98
Bend 87°	1001968	11.00

Article	Order No.	Price/€
Pipe element can be shortened, 500 mm	1001970	10.60
Pipe element can be shortened, 955 mm	1001971	13.54
Inspection bend 87°	1001963	25.60
Venting cover 280 x 350 mm	1001974	43.25

## Flue gas kit DN100 rigid in the shaft



Flue gas kit consisting of:	Quantity in the kit	Order No.	Price/€
Outlet set, plastic *	1 x set	1003254	76.70
Spacer set ** (4 ea.)	1 x set	1002033	42.00
Shaft inlet with support	1 x each	1002031	67.00
<b>Kit price</b> without pipe elements		1002034	106.00
Pipe element 1,955 mm	6 x each	1002028	33.00
<b>Kit price</b> incl. pipe elements		1002072	315.00

top inspection on request



acc.to DIN 18160 §6.5.3 not required if:

- gaseous working material
- maximum offset 1 x 30°
- diameter smaller than DN150 mm
- maximum vertical height 15 m [support bend – outlet]
- Bottom inspection acc. to DIN 18160 §6.5.2

Article	Order No.	Price/€
Inspection pipe, straight	1002020	32.00

## Accessories DN100

(available additional to the flue gas kit)

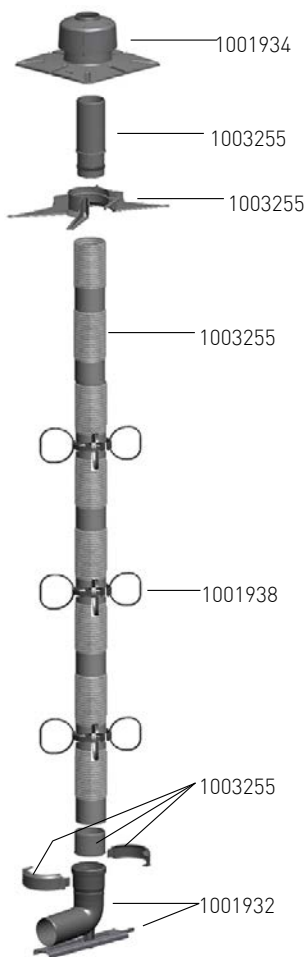
Article	Order No.	Price/€
Bend 30°	1002022	18.45
Bend 45°	1002023	18.45
Bend 87°	1002024	19.10

Article	Order No.	Price/€
Pipe element can be shortened, 500 mm	1002026	19.25
Pipe element can be shortened, 955 mm	1002027	24.90
Inspection bend 87°	1002019	35.65
Venting cover 280 x 350 mm	1002030	73.00

\* also available as a flexible pipe set, price on request

\*\* not available individually

## Flue gas kit DN60 flexible in the shaft



Flue gas kit consisting of:	Quantity in the kit	Order No.	Price/€
Outlet set, plastic	1 x set	1001934	41.20
Spacer set * (4 ea.)	1 x set	1001938	26.55
Shaft inlet with support	1 x each	1001932	28.40
<b>Kit price</b> without flexible pipe set		1001939	88.25
Flexible pipe set 12.5 m (incl. installation set)	1 x set	1003255	231.90
<b>Kit price</b> incl. flexible pipe set		1002087	316.50

top inspection  
on request



acc.to DIN 18160 §6.5.3 not required if:

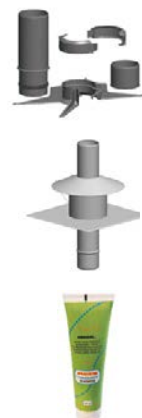
- gaseous working material
- maximum offset 1 x 30°
- diameter smaller than DN150 mm
- maximum vertical height 15 m  
(support bend – outlet)
- Bottom inspection acc. to DIN 18160 §6.5.2

Article	Order No.	Price/€
Inspection pipe, straight	1001922	58.25

## Accessories DN60 flexible

(available additional to the flue gas kit)

Article	Order No.	Price/€
Flexible pipe set 10 m (incl. installation set)	1003256	182.50
Flexible pipe set 15 m (incl. installation set)	1003257	275.50
Coupling for flexible pipe	1001979	60.30



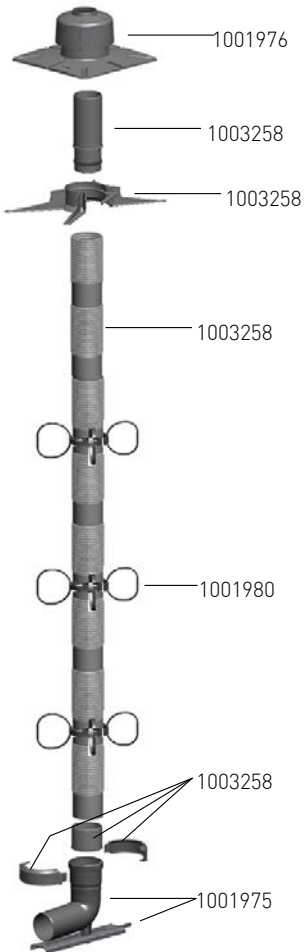
Article	Order No.	Price/€
Installation set * for flex- ible pipe	1001930	32.98
Outlet set** 330 x 330 mm, Stainless steel	1001935	126.75
Lubricant 150 g	1002012	7.32

\* not available individually

\*\* can also be used for rigid construction, as replacement for 1001934

## Flue gas kit DN80 flexible in the shaft

On request, also available in DN100.



Flue gas kit consisting of:	Quantity in the kit	Order No.	Price/€
Outlet set, plastic	1 x set	1001976	65.80
Spacer set * (4 ea.)	1 x set	1001980	35.65
Shaft inlet with support	1 x each	1001975	48.10
<b>Kit price</b> without flexible pipe set		1001981	138.85
Flexible pipe set 12.5 m (incl. installation set)	1 x set	1003258	367.30
<b>Kit price</b> incl. flexible pipe set		1002076	360.75

top inspection  
on request



acc.to DIN 18160 §6.5.3 not required if:

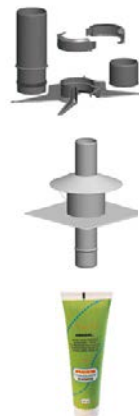
- gaseous working material
- maximum offset 1 x 30°
- diameter smaller than DN150 mm
- maximum vertical height 15 m  
(support bend – outlet)
- Bottom inspection acc. to DIN 18160 §6.5.2

Article	Order No.	Price/€
Inspection pipe, straight	1001965	95.05

## Accessories DN80 flexible

(available additional to the flue gas kit)

Article	Order No.	Price/€
Flexible pipe set 10 m (incl. installation set)	1001959	287.00
Flexible pipe set 15 m (incl. installation set)	1003006	439.20
Coupling for flexible pipe	1001979	60.30

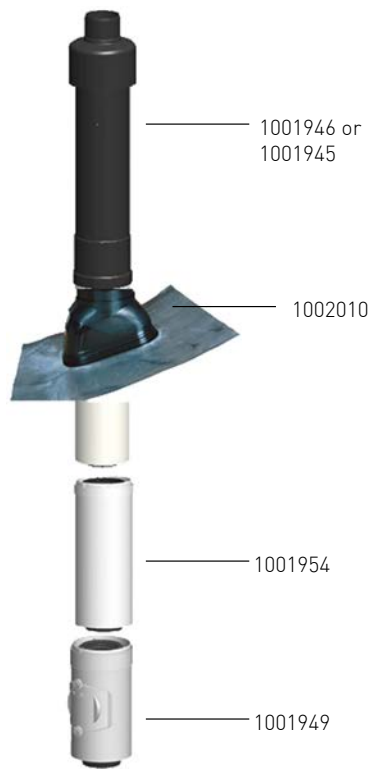


Article	Order No.	Price/€
Installation set * for flexible pipe	1001973	36.90
Outlet set** 330 x 330 mm, Stainless steel	1001977	168.50
Lubricant 150 g	1002012	7.32

\* not available individually

\*\* can also be used for rigid construction, as replacement for 1001934

## Flue gas kit DN60/100 roof equipment room



"black" kit consisting of:	Quantity in the kit	Order No.	Price/€
Roof extension pipe, concentric	1 x each	1001946	123.30
Pitched roof tile 20 - 45°	1 x each	1002010	60.30
Pipe element, concentric, 500 mm	1 x each	1001954	36.82
Inspection pipe, concentric	1 x each	1001949	65.78
Lubricant 150 g	1 x each	1002012	7.32
<b>Kit price</b>		1002088	<b>270.00</b>

"red" kit consisting of:	Quantity in the kit	Order No.	Price/€
Roof extension pipe, concentric	1 x each	1001945	123.30
Pitched roof tile 20 - 45°	1 x each	1002010	60.30
Pipe element, concentric, 500 mm	1 x each	1001954	36.82
Inspection pipe, concentric	1 x each	1001949	65.78
Lubricant 150 g	1 x each	1002012	7.32
<b>Kit price</b>		1002089	<b>270.00</b>

## Accessories

(available additional to the flue gas kit)

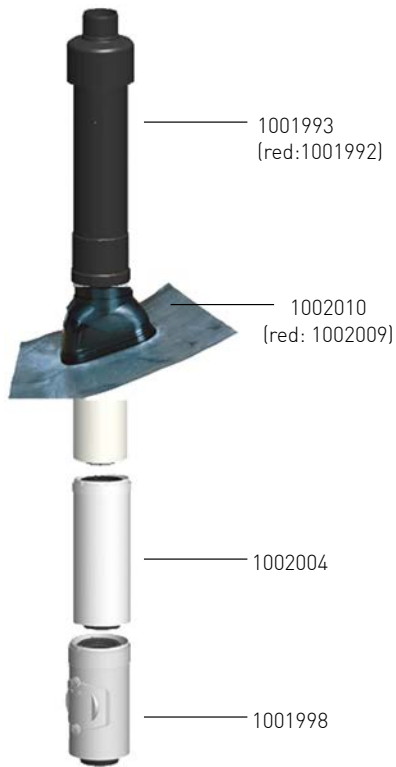
Article	Order No.	Price/€
Bend 30° concentric	1001950	37.60
Bend 45° concentric	1001951	37.60
Bend 87° concentric	1001952	50.12

Article	Order No.	Price/€
Reducing adapter D80/125-DN60/100 centric	1001958	50.15
Pipe element, concentric, 255 mm	1001953	27.15
Pipe element, concentric, 955 mm	1001955	46.00
Inspection bend 87° concentric	1001948	77.25



Article	Order No.	Price/€
External wall connection DN 60/100	1001947	88.50

## Flue gas kit DN80/125 roof equipment room









"black" kit consisting of:	Quantity in the kit	Order No.	Price/€
Roof extension pipe, concentric	1 x each	1001993	140.65
Pitched roof tile 20 - 45°	1 x each	1002010	60.30
Pipe element, concentric, 500 mm	1 x each	1002004	48.68
Inspection pipe, concentric	1 x each	1001998	92.00
Lubricant 150 g	1 x each	1002012	7.32
<b>Kit price</b>		1002069	<b>288.60</b>

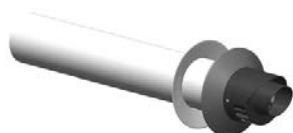
"red" kit consisting of:	Quantity in the kit	Order No.	Price/€
Roof extension pipe, concentric	1 x each	1001992	140.65
Pitched roof tile 20 - 45°	1 x each	1002009	60.30
Pipe element, concentric, 500 mm	1 x each	1002004	48.68
Inspection pipe, concentric	1 x each	1001998	92.00
Lubricant 150 g	1 x each	1002012	7.32
<b>Kit price</b>		1002070	<b>288.60</b>

## Accessories

(available additional to the flue gas kit)

Article	Order No.	Price/€
 Bend 30° concentric	1002000	45.96
 Bend 45° concentric	1002001	47.00
 Bend 87° concentric	1002002	66.85

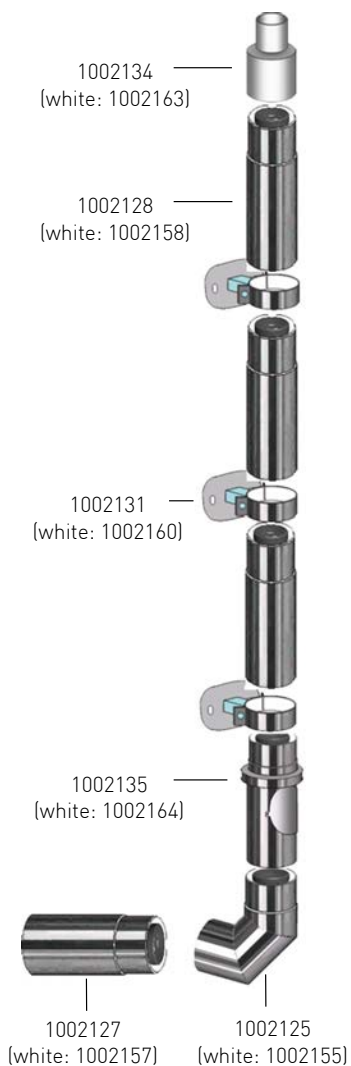
Article	Order No.	Price/€
 Pipe element, concentric, 255 mm	1002003	40.70
 Pipe element, concentric, 955 mm	1002005	77.00
 Inspection bend 87° concentric	1001997	104.50



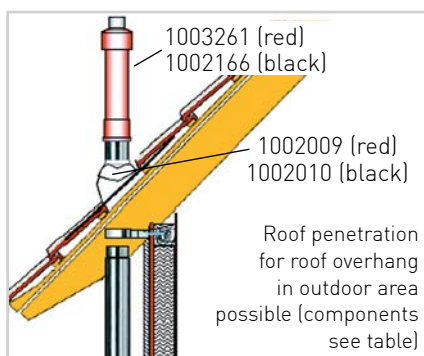
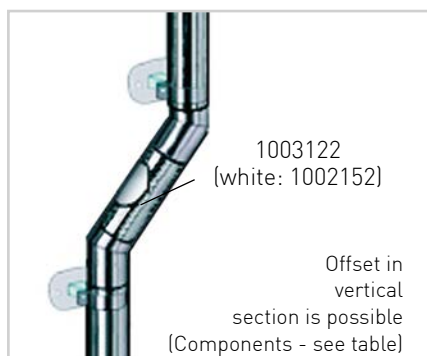
Article	Order No.	Price/€
External wall connection DN 80/125	1001996	80.00

## Flue gas kit DN80/125 external wall

Type: "stainless steel" or "white"



Please mark the required version with a cross! →					
Components	Order No. "Stainless steel"	Order No. "white"	Price/€	Order quantity	
Roof extension, red	1002136	1003261	238.60		
Roof extension, black	1002137	1002166	238.60		
Pitched roof tile, 20 - 45°, red	1002009	1002009	60.30		
Pitched roof tile, 20 - 45°, black	1002010	1002010	60.30		
Flat roof collar, aluminium	1001994	1001994	37.45		
Outlet 145 mm effective length	1002134	1002163	62.90		
Wall clamp 50 mm	1002131	1002160	80.22		
Wall clamp 50 - 150 mm, can be shortened	1002132	1002161	97.03		
Wall clamp 50 - 360 mm, can be shortened	1002133	1003259	163.25		
Inspection pipe	1003122	1002152	116.82		
Bend 30°	1002123	1002153	83.40		
Bend 45°	1002124	1002154	83.40		
Pipe element 190 mm, can be shortened	1002126	1002156	67.60		
Pipe element 440 mm, can be shortened	1002127	1002157	76.65		
Pipe element 940 mm, can be shortened	1002128	1002158	95.40		
Inspection pipe with supply air intake	1002135	1002164	172.80		
External wall bend 87°	1002125	1002155	95.40		
Wall rose Ø 265 mm	1002129	1002159	45.70		
Lubricant 150 g	1002012	1002012	7.32		



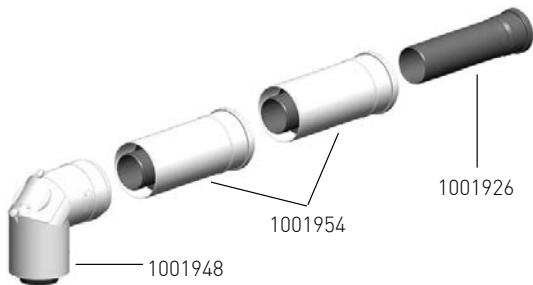
Use this page as an order form!

- Copy
- Fill out
- Fax to:  
+49 (0)42 85 93 07 30

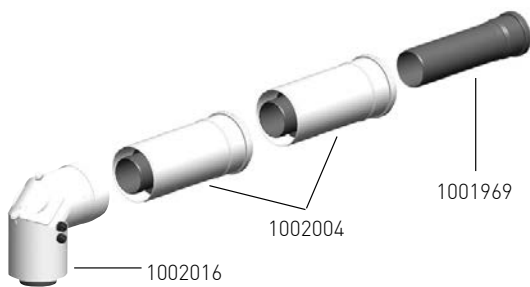




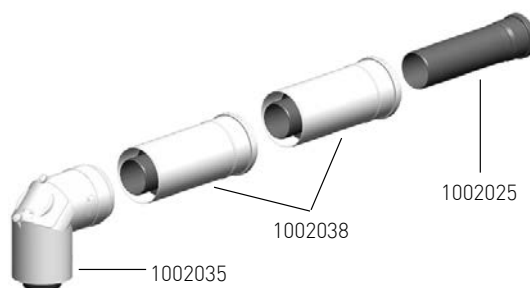
## Flue gas kits, room sealed (RLU), horizontal connection pipe to the shaft



"Concentric" kit DN60/100 RLU consists of:	Quantity in the kit	Order No.	Price/€
Pipe element 255 mm, can be shortened	1 x each	1001926	9.22
Pipe element, conc., 500 mm, can be shortened.	2 x each	1001954	36.82
Inspection bend 87°, concentric	1 x each	1001948	77.25
Lubricant 150 g	1 x each	1002012	7.32
<b>Kit price</b>		1002090	<b>133.00</b>

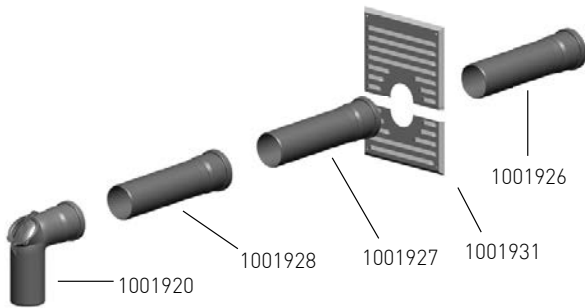


"Concentric" kit DN80/125 RLU consists of:	Quantity in the kit	Order No.	Price/€
Pipe element 255 mm, can be shortened	1 x each	1001969	9.22
Pipe element, conc, 500 mm, can be short.	2 x each	1002004	48.68
Inspection pipe, conc. 87° with meas. open.	1 x each	1002016	131.58
Lubricant 150 g	1 x each	1002012	7.32
<b>Kit price</b>		1002068	<b>186.28</b>

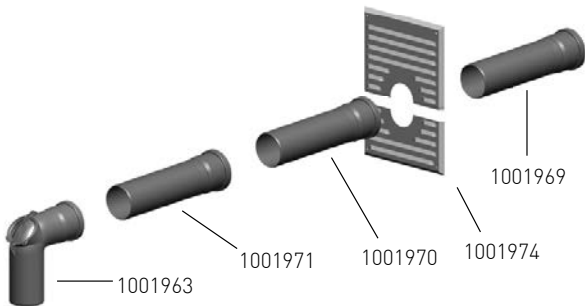


"Concentric" kit DN100/150 consists of:	Quantity in the kit	Order No.	Price/€
Pipe element 255 mm, can be shortened	1 x each	1002025	14.70
Pipe element, conc., 500 mm, can be shortened.	2 x each	1002038	100.50
Inspection bend 87°, concentric	1 x each	1002035	221.80
Lubricant 150 g	1 x each	1002012	7.32
<b>Kit price</b>		1002077	<b>339.25</b>

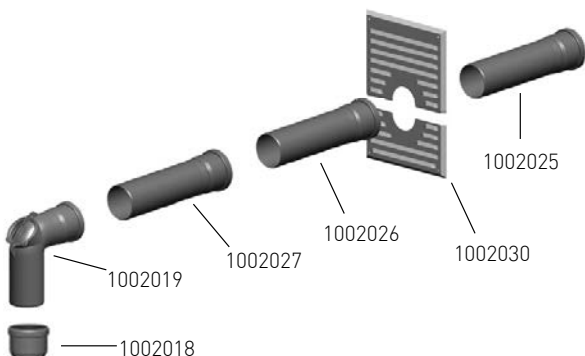
## Flue gas kits, non-room sealed (RLA), horizontal connection pipe to the shaft



RLA kit DN60 consisting of:	Quantity in the kit	Order No.	Price/€
Pipe element 255 mm, can be shortened	1 x each	1001926	9.22
Wall cover 280 x 350 mm	1 x each	1001931	32.00
Pipe element 500 mm, can be shortened	1 x each	1001927	10.05
Pipe element 955 mm, can be shortened	1 x each	1001928	13.35
Inspection bend 87°	1 x each	1001920	19.24
Lubricant 150 g	1 x each	1002012	7.32
<b>Kit price</b>		1003260	<b>84.50</b>



Kit DN80 consisting of:	Quantity in the kit	Order No.	Price/€
Pipe element 255 mm, can be shortened	1 x each	1001969	9.22
Wall cover 280 x 350 mm	1 x each	1001974	43.25
Pipe element 500 mm, can be shortened	1 x each	1001970	10.60
Pipe element 955 mm, can be shortened	1 x each	1001971	13.54
Inspection bend 87°	1 x each	1001963	25.60
Lubricant 150 g	1 x each	1002012	7.32
<b>Kit price</b>		1002066	<b>94.10</b>



Kit DN100 consisting of:	Quantity in the kit	Order No.	Price/€
Pipe element 255 mm, can be shortened	1 x each	1002025	14.70
Wall cover 280 x 350 mm	1 x each	1002030	73.00
Pipe element 500 mm, can be shortened	1 x each	1002026	19.25
Pipe element 955 mm, can be shortened	1 x each	1002027	24.90
Inspection bend 87°	1 x each	1002019	35.65
Reducing adapter, centric 110/100	1 x each	1002018	36.53
Lubricant 150 g	1 x each	1002012	7.32
<b>Kit price</b>		1002071	<b>125.25</b>